



GEMINI SL Total Knee System
with SPAR-K Instruments



FEMORAL
ALIGNMENT
GUIDE

Fast lock / unlock
mechanism
with colour code

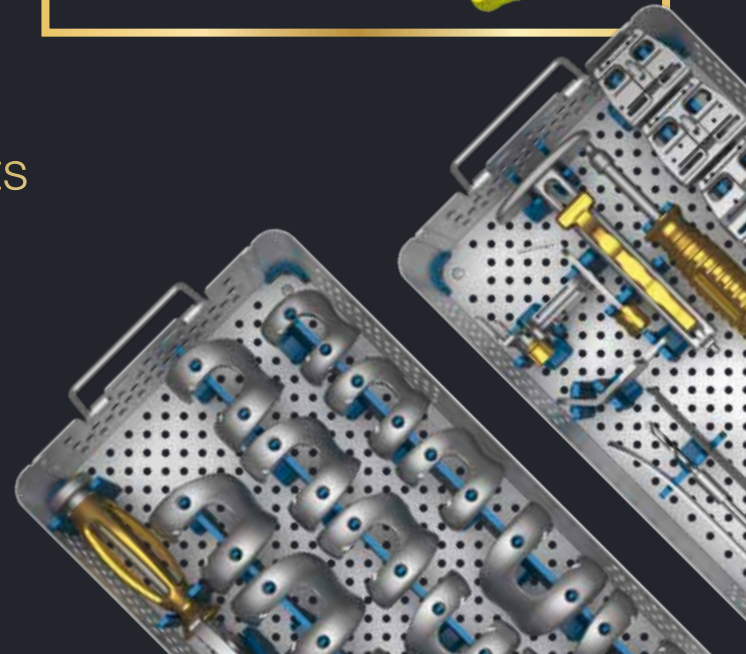
Self-explaining
fine tune adjustment



The GEMINI SPAR-K Instruments
meet the need of today's knee surgeons

The GEMINI SPAR-K Instruments

- are clear and easy to use
- are intuitive and efficient instruments.
- assure precise and reliable bone resections

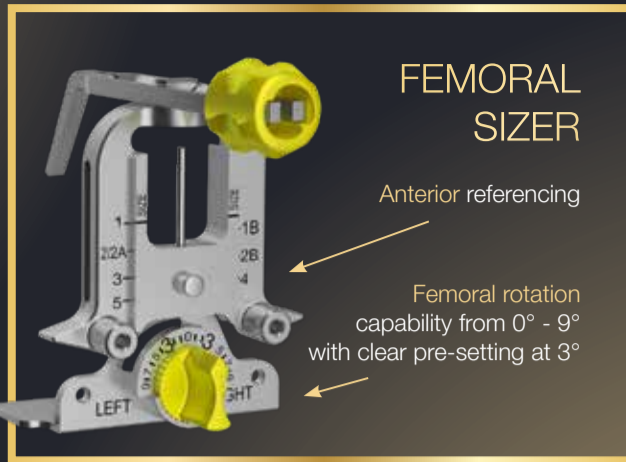


Efficient

Precise

Reliable

spar-
INSTRUMENTS



FEMORAL
SIZER

Anterior referencing

Femoral rotation
capability from 0° - 9°
with clear pre-setting at 3°

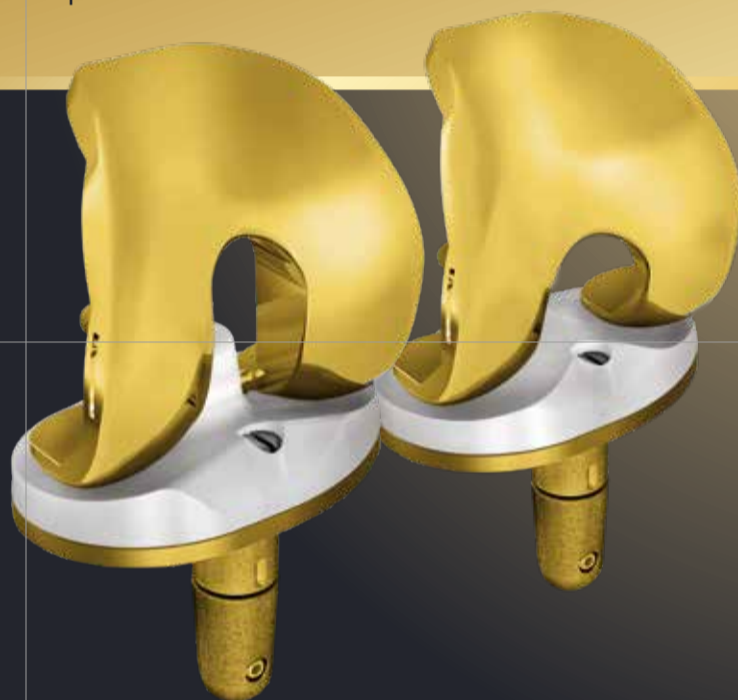
SPAR-K Instruments for GEMINI SL Total Knee System

The instruments assure precise and reliable bone resections.

The GEMINI SPAR-K Instruments are designed to help the surgeon to consistently achieve optimal outcomes. They enable the surgeons to precisely control the implant position and fit for each patient.

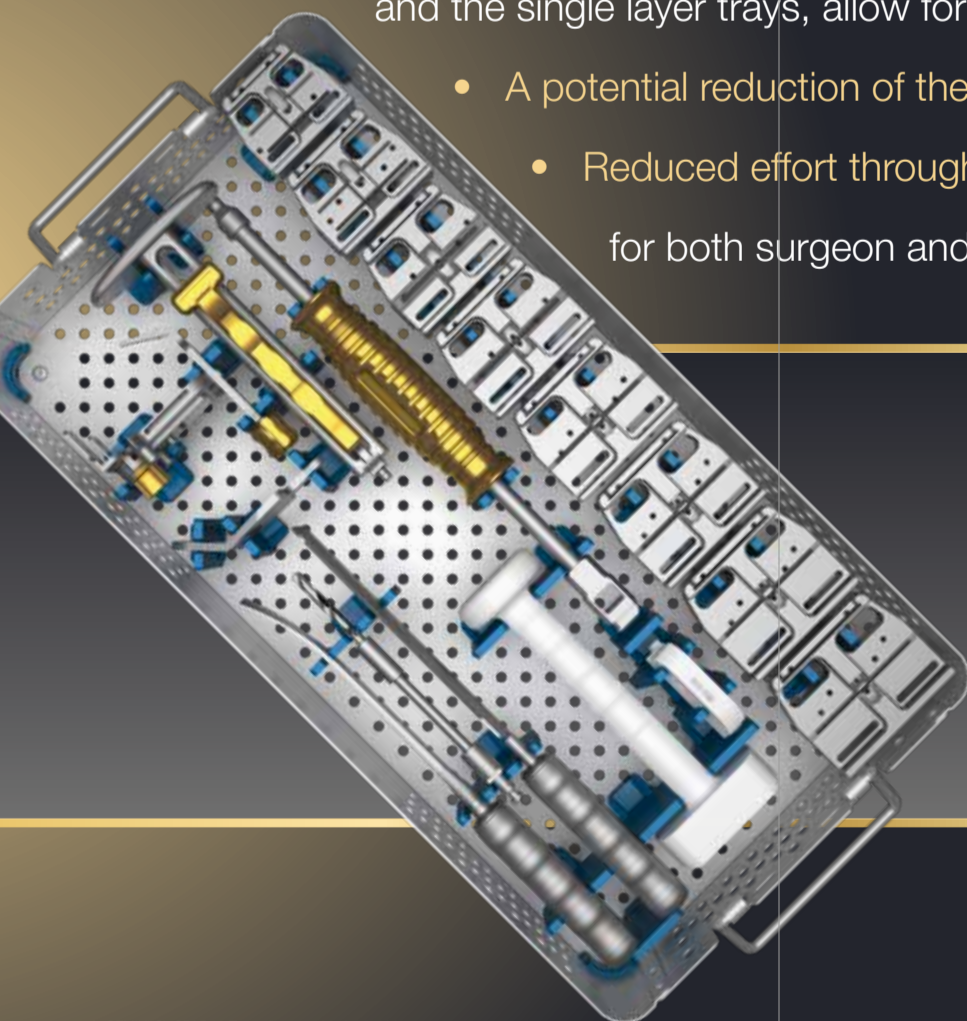
The GEMINI SPAR-K Instruments allow a variety of surgical options such as:

- Femur first
- Tibia first
- Gap balancing



The colour coded actuators, the quick set/release functions and the single layer trays, allow for:

- A potential reduction of the learning curve
- Reduced effort throughout the surgical process for both surgeon and scrub-tech personal



Please feel free to visit our
SPAR-K Instruments Website





LINK PorEx

T E C H N O L O G Y

TiNbN Surface Modification





Significant reduction of metal ions release ¹

Ceramic-like surface ¹

Outstanding hardness ¹

High wettability for liquid's ²

Protect the sliding surface from wear and scratches from the instrumentation ²



1. Internal technical report: Study of the influence of TiNbN-coating on the ion release of CrCrMo-alloys in SBF buffer simulator testing
2. Basically about TiNbN-Coating in the field of knee-implants: Bader et al., Alternative Werkstoffe und Lösungen in der Knieendprothetik für Patienten mit Metallallergie, Orthopäde, 2008