



i1CUP™

Cementless Acetabular Cup System

The i1Cup acetabular system represents an innovative solution for primary acetabular replacement, offering surgeons a *versatile combination of high range of motion bearings together with top performance coating technology to promote bone on-growth.*



i1Cup™ is a cementless hemispheric press-fit acetabular cup made of titanium alloy with equatorial grooves.

Best Bone Integration

To encourage osseointegration, the porous titanium surface coating produced with Vacuum Plasma Spray technique (TVPS) is available with electrochemically deposited CaP coating (calcium phosphate).

Primary Stability

The hemispheric cup features a polar flattening *to allow a secure and strong primary fixation to the equatorial ring.*

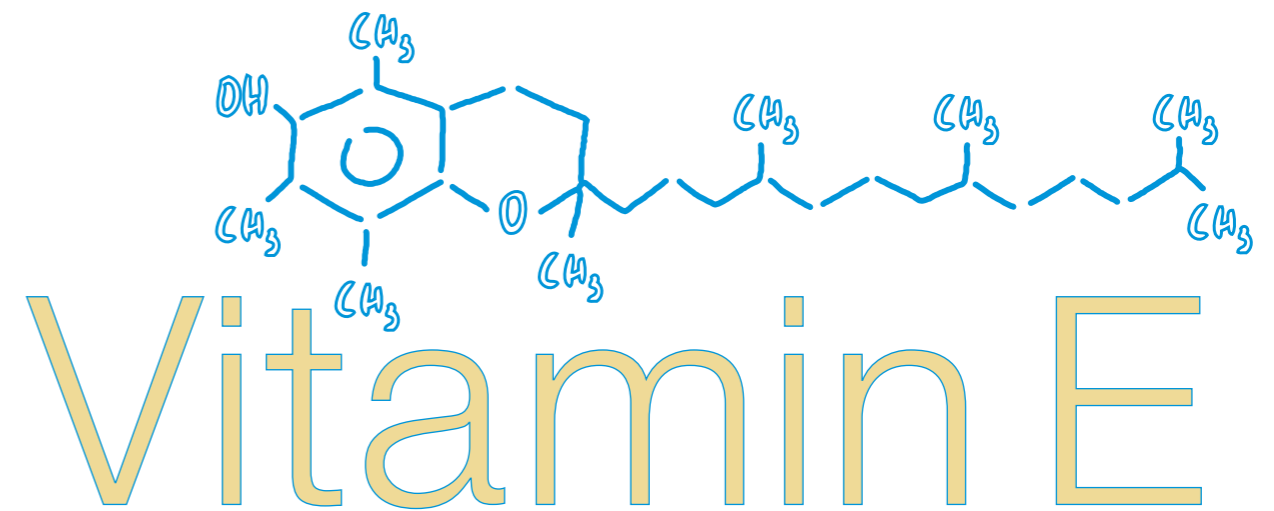
The system has a modular structure, offering numerous possible combinations with different inserts.

Inserts are available in standard UHMWPE, in Vitamin E doped, crosslinked UHMWPE and in new generation ceramic.

The i1Cup™ has 3 dome holes to house the stabilising screws and one polar peep hole with color code. The holes are fitted with pre-assembled occluders.

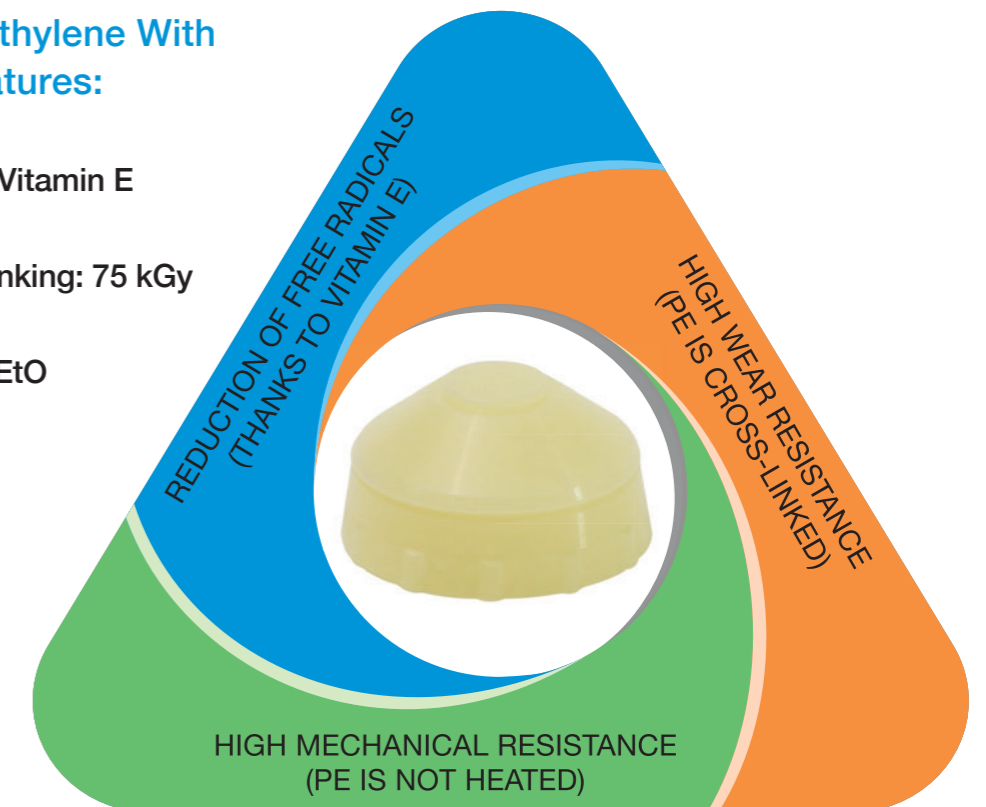
i1Cup™ Main Features:

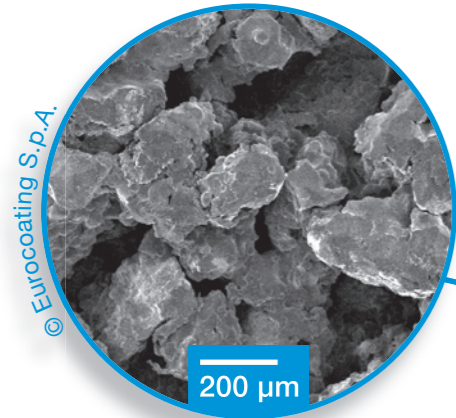
- Press-fit fixation
- 14 sizes from 44 mm to 70 mm
- Titanium alloy with osteoconductive coating
- Equatorial grooves to improve primary stability
- Snap-lock mechanism for a safe locking of polyethylene inserts
- Conical coupling to avoid back side wear
- Inserts: standard UHMWPE, Vitamin E crosslinked UHMWPE and ceramics
- Optional screws to increase primary stability



Cross-linked Polyethylene With Vitamin E Main Features:

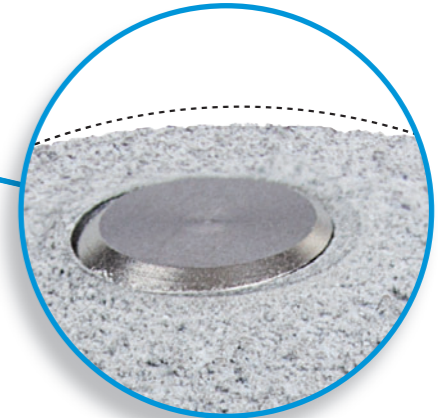
- Blended UHMWPE + Vitamin E
- Vitamin E: 0,1%
- Irradiation for cross-linking: 75 kGy
- No additional heating
- Sterilization method: EtO





TVPS + CaP coating





Porous titanium surface coating produced with Vacuum Plasma Spray technique + CaP coating (calcium phosphate).



Polar flattening

Allows strong peripheral fixation of the cup.

Color coding





 Easy handling of inserts and bearings.



Screws holes Ø 6,5 mm

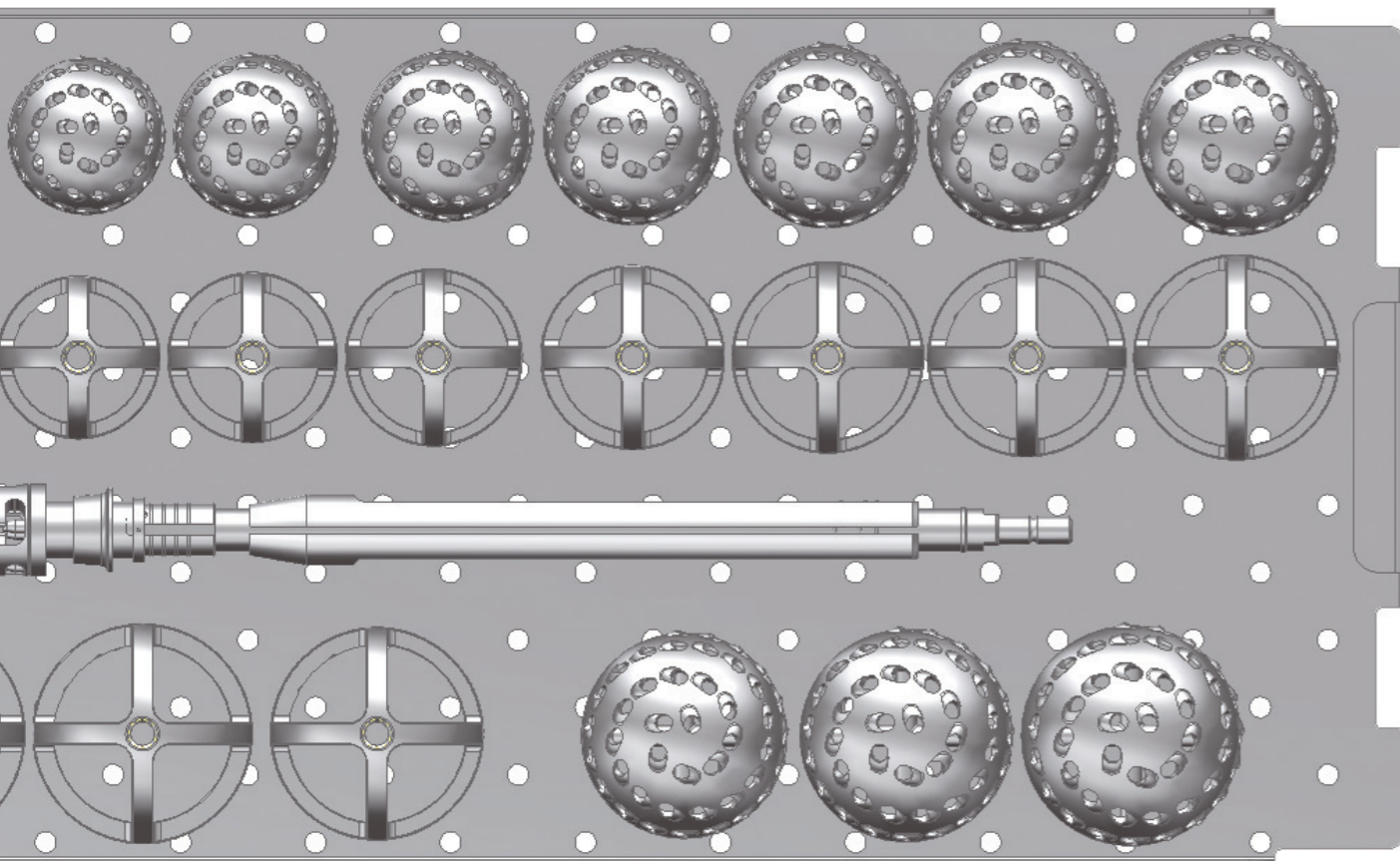
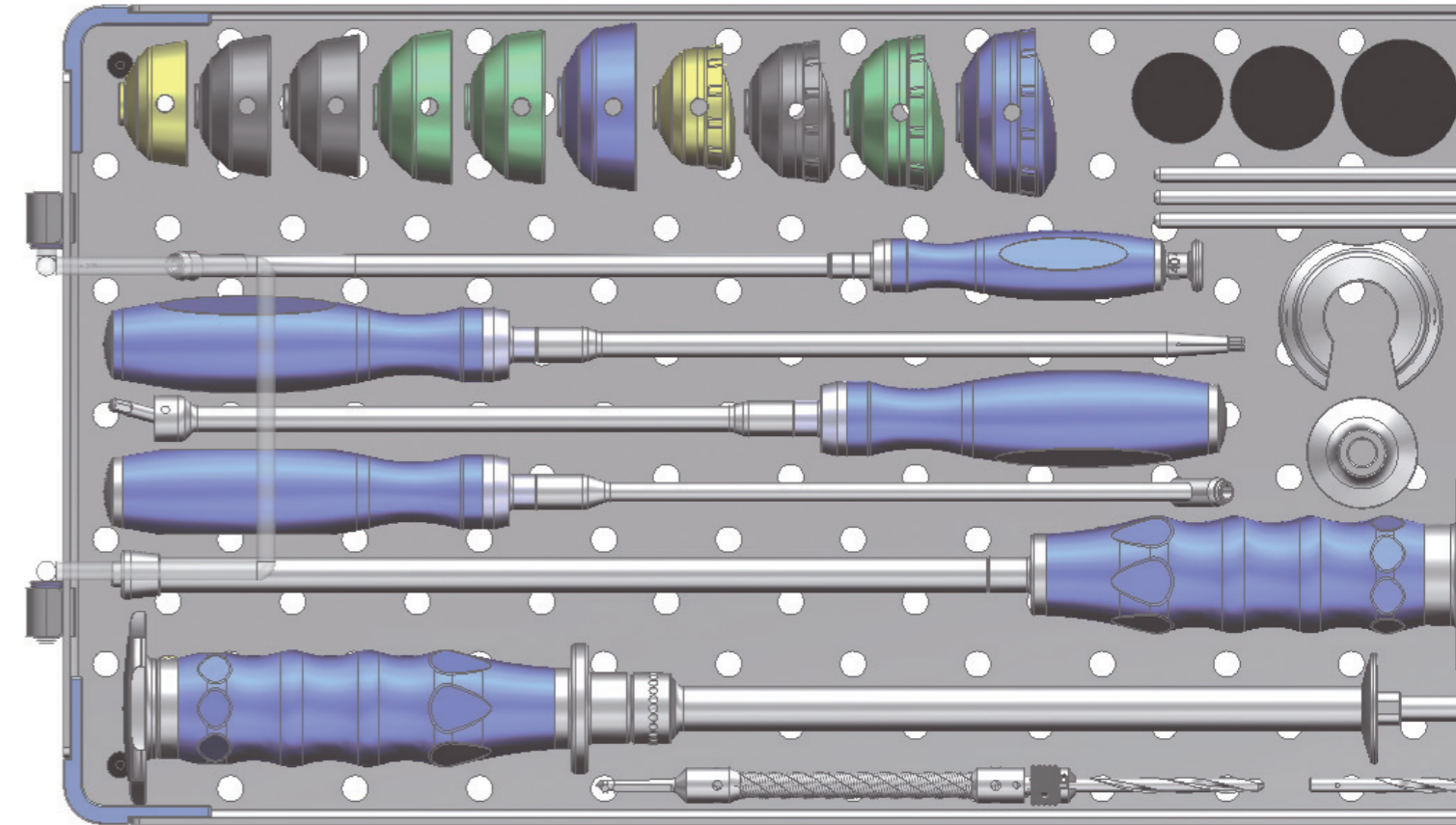
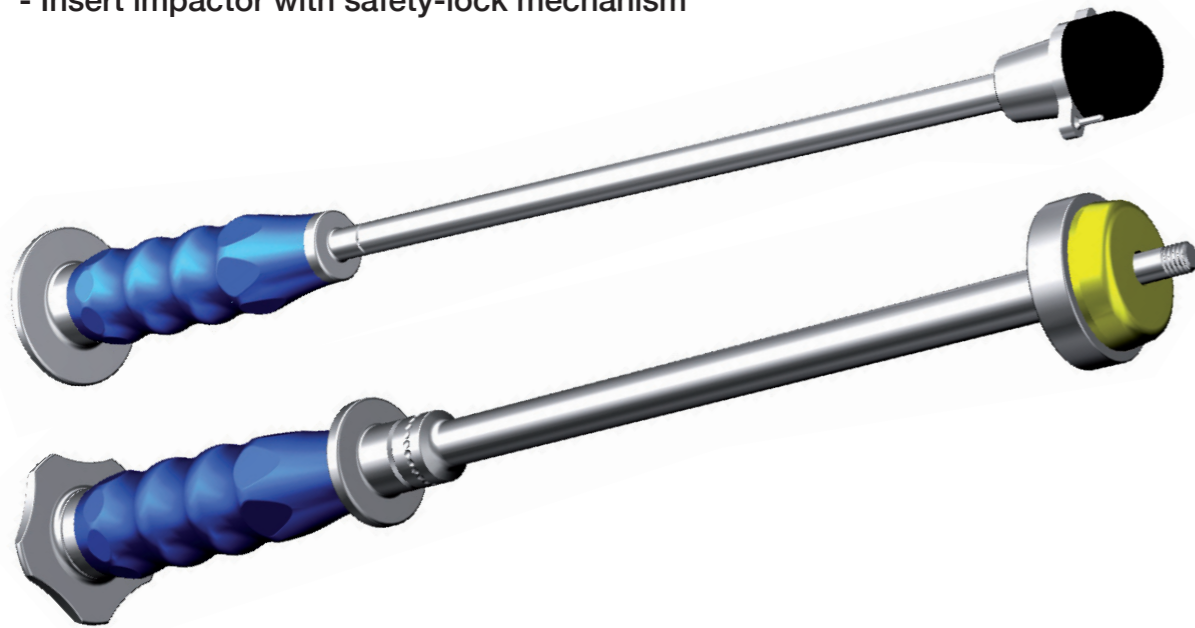
Screw sizes from 15 mm to 45 mm

Inserts fixation:

- Conical coupling
- Locking mechanism
- Anti-rotation system

Instrumentation Features:

- Both trial cups and final implants can be mounted on same handle
- Polar and peripheral impactor
- Magnetic components
- Insert impactor with safety-lock mechanism



Anterior Approach Instrument Set:



- Off-set cup impactor
- Acetabular reamer with off-set
- Special Hohmann levers



CE0426

Link Italia SpA

Via Cascina Belcasule, 11 · 20141 Milano · Italy
Tel.: +39 02 535421 · Fax: +39 02 53542350
E-mail: info@linkitaliaspa.it · www.linkorthopaedics.com

